

# ADJUSTABLE FLOOR DRAIN - SQUARE TOP

## 862 SERIES

### SPECIFICATION

Sioux Chief 862 Series coated cast iron adjustable floor drain with anchor flange, weep holes, clamping collar, adjustable square nickel-bronze top with vandal-resistant/heel-resistant, secured grate, 1/2" NPT trap primer (plugged) and bottom outlet. Designed in accordance with ASME A112.6.3

General purpose floor drain for use in kitchens, showers, restrooms and other finished areas with foot traffic.

### MATERIALS

**Drain body:** cast iron  
**Clamping collar:** cast iron  
**Head/strainer:** nickel-bronze

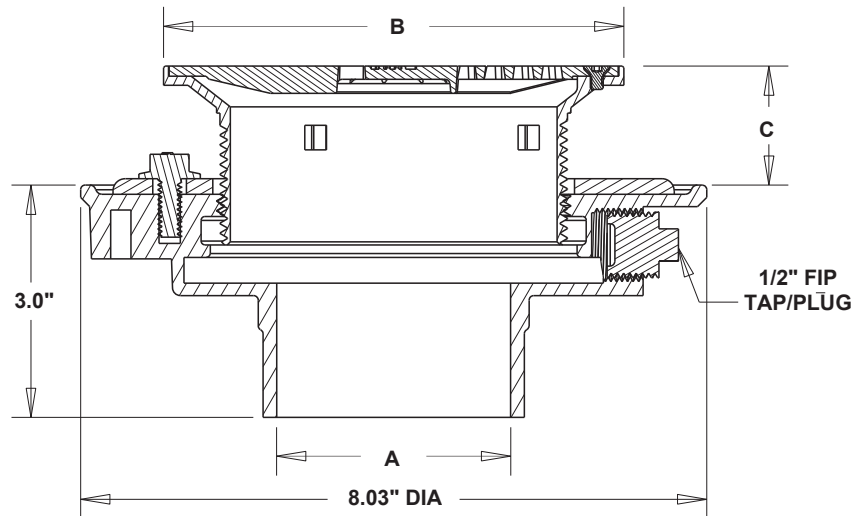
### LOAD RATING

2,000 lbs.

### DIMENSIONS

<b>A:</b> Connection size	2", 3", 4"				
<b>B:</b> Top diameter	5-1/4"	6"	7"	8"	9-1/2"
<b>C:</b> Strainer adjustment	1.0" - 2.2"	1.0" - 2.5"	1.3" - 2.6"	1.4" - 2.7"	1.6" - 2.8"
Strainer free-area	10.5 in <sup>2</sup>	13.6 in <sup>2</sup>	18.4 in <sup>2</sup>	25.5 in <sup>2</sup>	31.0 in <sup>2</sup>

ITEM # SUBMITTED	_____
JOB NAME	_____
LOCATION	_____
ENGINEER	_____
CONTRACTOR	_____
PO#	_____ TAG _____



### Create Item Number

## 862-ABCD

e.g. **862-236NQB:** Floor drain - 3" No-Hub connection, 6" square NB head/strainer with debris bucket

#### CONNECTION TYPE A

**2** = No-Hub outlet  
**6** = Push-Joint outlet

#### CONNECTION SIZE B

**2** = 2"  
**3** = 3"  
**4** = 4"

#### STRAINER DIAMETER C

**5NQ** = 5-1/4" square  
**6NQ** = 6" square  
**7NQ** = 7" square  
**8NQ** = 8" square  
**10NQ** = 9-1/2" square

#### OPTIONS D

**B** = Debris bucket  
**E** = Drain head extension adapter<sup>1</sup>  
**9** = Side-outlet connection<sup>2</sup>

<sup>1</sup>: Cast iron - MIP x FIP thread | <sup>2</sup>: For 3" and 4" No-Hub connection only